

PLASTIC HORN LOUDSPEAKER

(EN54-24)



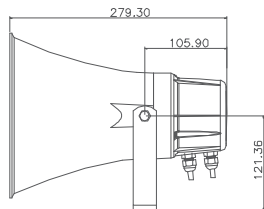
PHS-61T20/8



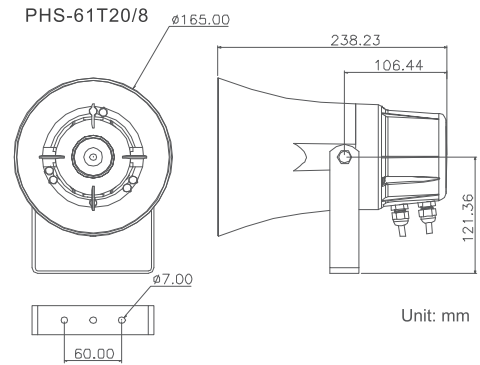
PHS-81T30/8



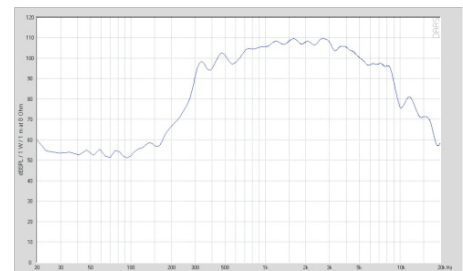
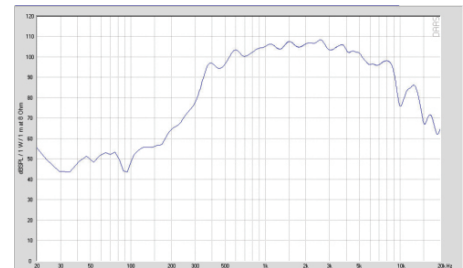
PHS-81T30/8



Unit: mm



Unit: mm



SPECIFICATIONS

Model No.	PHS-61T20BS	PHS-81T30BS
Rated Power (rms)	20W	30W
Impedance	500Ω-1kΩ-2kΩ-4kΩ	333Ω-667Ω-1333Ω-2667Ω
Power Rating(100V)	20W-10W-5W-2.5W	30W-15W-7.5W-3.75W
S.P.L. (at 1W/1M)	106dB	108dB
Maximum Acoustic Pressure	119dB	123dB
Frequency Response(-20dB)	350 Hz ~ 9K Hz	340 Hz ~ 9K Hz
Dispersion 1KHz / 4KHz	160° / 30°	120° / 30°
Ambient Temperature	-25°C ~ +70°C	
Compliant Standard	EN54-24	
IP Rating	IEC60529 IP66	
Dimension	165(Dia)×238(L)mm	212(Dia)×280(L)mm
Material	UL94V0 Anti-Fire ABS plastic	
Colour	Light Grey (RAL 7035)	
Weight	1.9Kg	2.05Kg
Power Selection Method	Plug ,Ceramic Terminal Block	
Mounting	U Type Bracket (Optional : Stainless steel / Aluminum Alloy / Regular steel)	